

**PLEASE CHECK WWW.MOLEX.COM FOR LATEST PART INFORMATION**

**Part Number:** [0681082561](#)  
**Status:** **Active**  
**Description:** D-Subminiature Shielded I/O PCB Female Receptacle, Right Angle, 25 Circuits, Standard Nut, Lead Free

**Documents:**

[3D Model](#) [Product Specification PS-68107-001 \(PDF\)](#)  
[Drawing \(PDF\)](#) [RoHS Certificate of Compliance \(PDF\)](#)

**General**

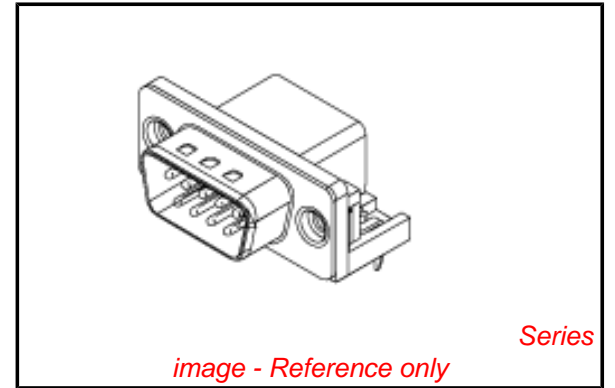
Product Family	I/O Connectors
Series	<a href="#">68108</a>
Application	Wire-to-Board
Component Type	Plug
Product Name	D-Sub
Type	N/A

**Physical**

Boot Color	N/A
Circuits (Loaded)	25
Circuits (maximum)	25
Durability (mating cycles max)	200
Gender	Receptacle
Keying to Mating Part	None
Lock to Mating Part	No
Material - Plating Mating	Gold
Number of Rows	2
Orientation	Right Angle
PC Tail Length (in)	0.125 In
PC Tail Length (mm)	3.18 mm
PCB Locator	Yes
PCB Retention	Yes
PCB Thickness Recommended (in)	0.063 In
PCB Thickness Recommended (mm)	1.60 mm
Packaging Type	Tray
Panel Mount	Yes
Pitch - Mating Interface (in)	0.109 In
Pitch - Mating Interface (mm)	2.77 mm
Pitch - Term. Interface (in)	0.109 In
Pitch - Term. Interface (mm)	2.77 mm
Polarized to Mating Part	Yes
Polarized to PCB	Yes
Ports	1
Surface Mount Compatible (SMC)	No
Temperature Range - Operating	-55°C to +105°C
Termination Interface: Style	Through Hole
Waterproof / Dustproof	No
Wire Insulation Diameter	N/A
Wire Size AWG	N/A

**Electrical**

Current - Maximum per Contact	5A
Grounding to Panel	Yes
Shielded	No
Voltage - Maximum	125V AC (RMS)/DC



**EU RoHS**

**ELV and RoHS  
Compliant**  
**REACH SVHC**  
 Not Reviewed  
**Halogen-Free  
Status**

**China RoHS**



**Not Reviewed**

**Need more information on product  
environmental compliance?**

Email [productcompliance@molex.com](mailto:productcompliance@molex.com)  
 For a multiple part number RoHS Certificate of Compliance, [click here](#)

Please visit the [Contact Us](#) section for any non-product compliance questions.

**Search Parts in this Series**

[68108Series](#)

**Material Info**

**Reference - Drawing Numbers**

Product Specification

PS-68107-001

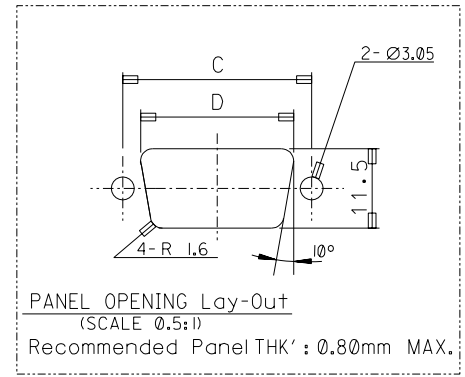
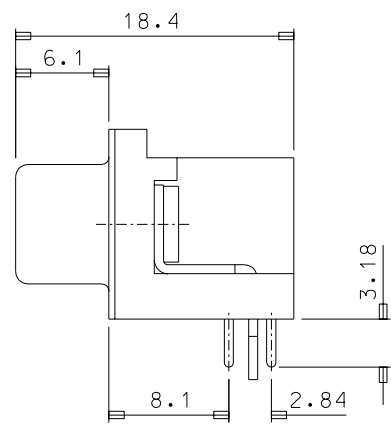
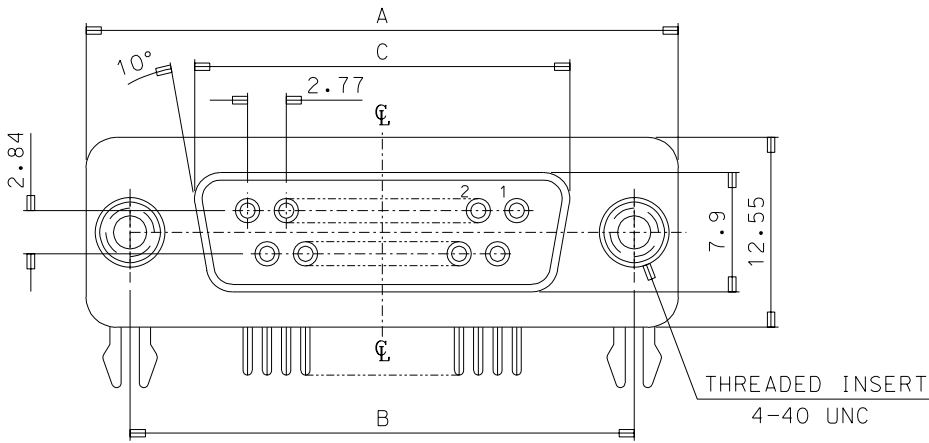
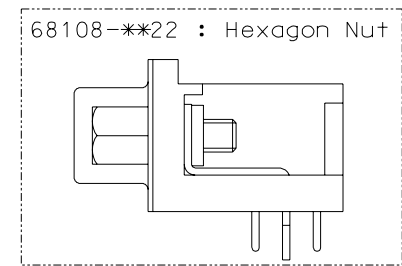
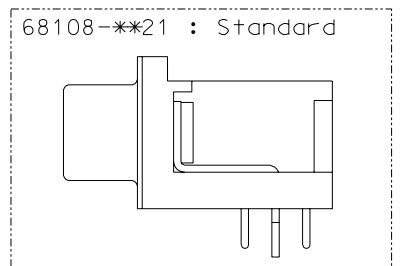
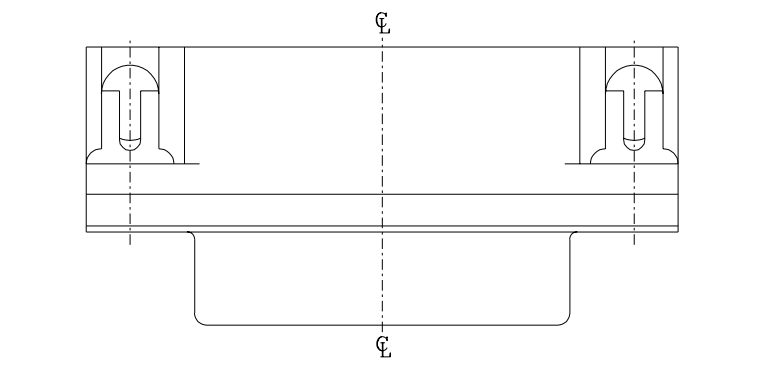
Sales Drawing

SD-68108-002

This document was generated on 06/07/2010

**PLEASE CHECK [WWW.MOLEX.COM](http://WWW.MOLEX.COM) FOR LATEST PART INFORMATION**

DWG. NO. SD 68108-001  
 PROJECT NO. SIMILAR ITEM  
 DO NOT SCALE DRAWING DIMENSION IN METRIC



NOTES  
 1. Product Specification : PS-68107-001

No.	MATERIAL	REMARK
1	PBT (UL94V-0)	GLASS FILLED
2	COPPER ALLOY	GOLD PLATING

No. of PIN	PART NO.	A	B	C	D
9	68108-092*	30.81	24.99	16.33	20.13
15	68108-152*	39.14	33.32	24.66	28.46
25	68108-252*	53.04	47.04	38.38	42.18

REVISED EC NO. KOR 1998-0109 DRWN: YSKIM (980808) CHK: JKOH APPR: CWLEE	DESCRIPTION MAJOR CRITICAL	QUALITY SYMBOLS	GENERAL TOLERANCES: (UNLESS SPECIFIED) mm INCH	SCALE 3/1	DESIGN UNITS <input checked="" type="checkbox"/> mm <input type="checkbox"/> INCH	THIRD ANGLE PROJECTION	DIMENSIONS: <input type="checkbox"/> mm <input type="checkbox"/> INCH <input checked="" type="checkbox"/> mm ONLY		SHT REV REVISE ON CAD ONLY
							DRAWN BY & DATE J.S.KANG 97 9.29	TITLE: D-SUB RECEPTACLE-R/A (WITH TAPPING, FORK LOCK)	
B	REV	DESCRIPTION	ANGULAR: ± 1 °	DRAFT WHERE APPLICABLE MUST REMAIN WITHIN DIMENSIONS	APPROVED BY & DATE C.W.LEE	CAD FILENAME SD68108.S01	MOLEX MATERIAL NO.	MOLEX DRAWING NO. SD 68108-001	SHEET NO. 1 of 2

DO NOT SCALE DRAWING DIMENSION IN METRIC

DWG. NO. SD 68108-001

SIMILAR ITEM

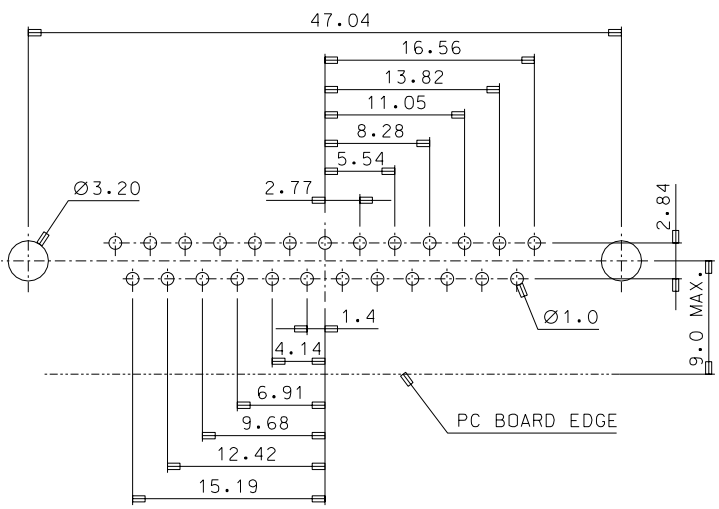
PROJECT NO.

C

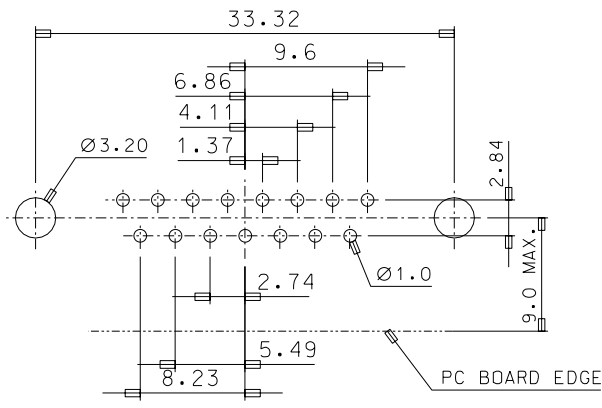
B

REV

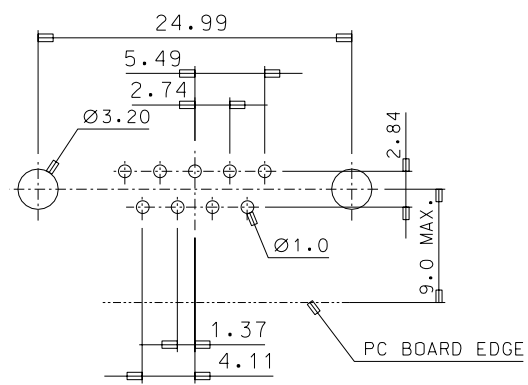
8 7 6 5 4 3 2



25 CIRCUIT



15 CIRCUIT



9 CIRCUIT

PCB LAYOUT FOR 68108 SERIES

REVISED	EC NO. KOR 1998-0109 DRWN: YSKIM (980810) CHK: JKOH APPR: CWLEE	DESCRIPTION	QUALITY SYMBOLS	GENERAL TOLERANCES: (UNLESS SPECIFIED)	SCALE 3/1	DESIGN UNITS <input checked="" type="checkbox"/> mm <input type="checkbox"/> INCH	THIRD ANGLE PROJECTION	DIMENSIONS: <input type="checkbox"/> mm <input type="checkbox"/> INCH <input checked="" type="checkbox"/> mm ONLY	SHT	REV	
			MAJOR ▲ = CRITICAL ▼ =	mm INCH	DRAWN BY & DATE J.S.KANG 97 9.29	TITLE: D-SUB RECEPTACLE-R/A (WITH TAPPING, FORK LOCK)					
B	REV	DESCRIPTION	4 PLACES ±. ±.	ANGULAR: ± °	CHECKED BY & DATE J.K.OH	MATERIAL NO. DRAWING NO. SHEET NO.					
			3 PLACES ±. ±.	DRAFT WHERE APPLICABLE MUST REMAIN WITHIN DIMENSIONS	APPROVED BY & DATE C.W.LEE	SD68108.S02		SD 68108-001	2 of 2	SIZE B	
			2 PLACES ±0.1 ±.	THIS DRAWING CONTAINS INFORMATION THAT IS PROPRIETARY TO MOLEX INCORPORATED AND SHOULD NOT BE USED WITHOUT WRITTEN PERMISSION.							
			1 PLACE ±0.1 ±.								

8 7 6 5 4 3 2